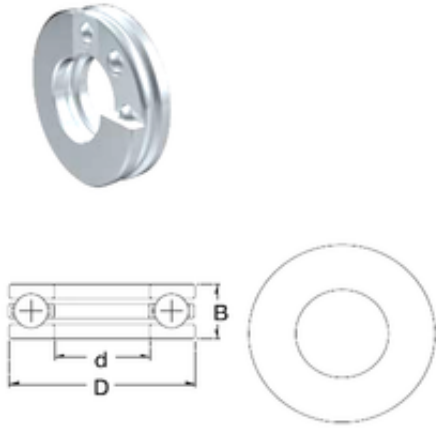


## ZEN S51211 thrust ball bearings

Bearing No. S51211



S51211 Bearing 2D drawings and 3D CAD models

|                               |             |
|-------------------------------|-------------|
| Size                          | 55x90x25 mm |
| Bore Diameter                 | 55 mm       |
| Outer Diameter                | 90 mm       |
| Width                         | 25 mm       |
| d                             | 55 mm       |
| D                             | 90 mm       |
| H                             | 25 mm       |
| Basic dynamic load rating (C) | 69 kN       |
| Basic static load rating (C0) | 159 kN      |
| (Grease) Lubrication Speed    | 1900 r/min  |