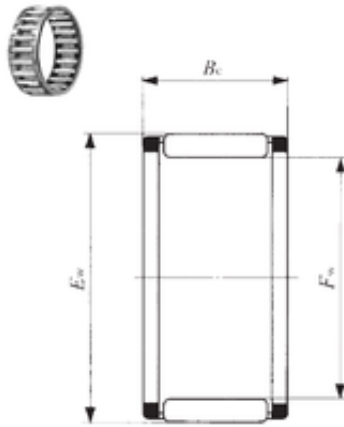


IKO KT 556320 needle roller bearings



Bearing No. KT 556320

Bore Diameter	55 mm
Outer Diameter	63 mm
Fw	55 mm
Ew	63 mm
Bc	20 mm
Weight	0,071 Kg
Basic dynamic load rating (C)	37,4 kN
Basic static load rating (C0)	66,4 kN

KT 556320 Bearing 2D drawings and 3D CAD models