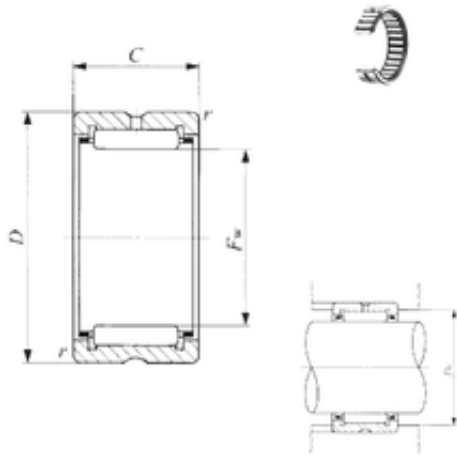


## IKO RNA 4834 needle roller bearings



Bearing No. RNA 4834

Size	185x215x45 mm
Bore Diameter	185 mm
Outer Diameter	215 mm
Width	45 mm
Fw	185 mm
D	215 mm
C	45 mm
r min.	1,1 mm
Da max.	208,5 mm
Weight	2,7 Kg
Basic dynamic load rating (C)	211 kN
Basic static load rating (C0)	567 kN

RNA 4834 Bearing 2D drawings and 3D CAD models